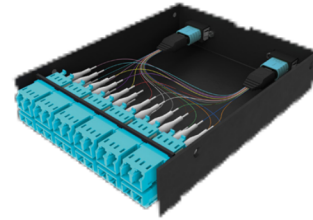


MTP/MPO Cassette

MTP/MPO Cassette Modules provide secure transition between MTP/MPO and LC or SC discrete connectors. They are used to interconnect MTP/MPO backbones with LC or SC patching.

Modular system allows for rapid deployment of high density data centre infrastructure as well as improved troubleshooting and reconfiguration during moves, adds and changes. Cassettes can be mounted in 1U or 3U 19" multislotted chassis.



MTP/MPO Cassettes contain factory controlled and tested MTP/MPO-LC fanouts to deliver optical performance and reliability. Low loss MTP/MPO Elite and LC or SC Premium versions are offered featuring low insertion loss for demanding power budget high speed networks.

Features

- MTP/MPO standard compliant multifibre connector
- LC (SFF data center standard), SC discrete interface
- OS1/2, OM3, OM4 fibre grades (OM1 and OM2 available)
- 12 and 24 fibre versions - 12 LC (Duplex) / SC (Simplex) optical parts
- Polarity A (standard), B or C
- Factory terminated and tested
- High performance zirconia sleeve adaptors
- **Rapid deployment** Factory terminated modular system saves installation and reconfiguration time during moves, adds and changes.
- **MTP/MPO interface** MTP/MPO components feature superior optical and mechanical properties.
- **Optimized performance** Low loss MTP/MPO Elite, discrete Premium connectors and OM4 fibre assures low insertion losses and power penalties in tight power budget, high-speed network environments.
- **High density** 12 or 24 fibre cassettes can be mounted in 1U scaling up to 72 or in 3U scaling up to 336 discrete connectors.
- **Reliability** 100% tested - combination of high quality components and manufacturing quality control guarantees product to the highest standards.

Applications

- Data center infrastructure
- Storage area network - fibre channel
- Parallel optics

Specification

ELEMENT	CHARACTERISTIC
Fibre	OS1/OS2, OM1, OM2, OM3, OM4 (ISO/IEC 60793)
Adaptors	MTP® US Conec (IEC-61754 & EIA/TIA-604-5) Body Color: Black Polarity: Keyway up- Keyway down, Keyway up- Keyway upLC Duplex (IEC 61754-20) Body Color: Beige (MM), Aqua (MM), Blue (SM/UPC), Green (SM/APC) (Sleeve Material: Zirconia)
Connectors	MTP® US Conec (IEC-61754-7 & EIA/TIA-604-5) Boot Color: Black Body Sleeve Color: MM (Beige), MM Elite (Aqua), SM (Green), SM Elite (Yellow), LC (IEC 61754-20) Boot Color: White (MM and SM/UPC), Green (SM/APC) Body Color: Beige (MM), Blue (SM), Green (SM/APC)
Cassette Material	16 Gauge Aluminium (15mm thickness) with a black powder coat finish (color: RAL9004)
Operating Temperature	-10 ~ +60°C
Storage Temperature	-40 ~ +70°C
Packaging Dimensions	150mm x 50mm x 215mm
Weight	0.55kg

Connector Performance

CONNECTOR MATING	IL AVERAGE	IL MAX	RETURN LOSS
MTP Elite (MM)	0.10dB	0.35dB	N/A
MTP (MM)	0.20dB	0.60dB	N/A
LC, SC Premium (MM)	0.08dB	0.15dB	N/A
LC, SC (MM)	0.15dB	0.30dB	N/A
MTP Elite (SM)	0.10dB	0.35dB	>60dB
MTP (SM)	0.25dB	0.75dB	>60dB
LC, SC Premium (MM)	0.12dB	0.15dB	>55/65dB*
LC, SC (SM)	0.18dB	0.30dB	>55/65dB*

* UPC/APC

Standards Compliance

- TIA/EIA-568-C.3 and ISO/IEC 11801 - cable
- IEC-61754-7 & EIA/TIA-604-5 - MTP/MPO

- Compliant to Directive 2002/95/EC (RoHS) and REACH SvHC
- IEC-61754-20 (LC) & IEC-61754-14 (SC)
- IEC-60793

Ordering Information

MTP® Connector		Fibre Count		Discrete Connector		Fibre Type			Polarity	
MTPM	MTP Male (standard)	12	12	LC	LC	09	OS1/2 652D	CASS	N/A	A
MTPM	MTP Male Elite®	24	24	SC	SC	OM1	OM1		B1	B
						OM2	OM2		B2	
						OM3	OM3		N/A	C
						OM4	OM4			

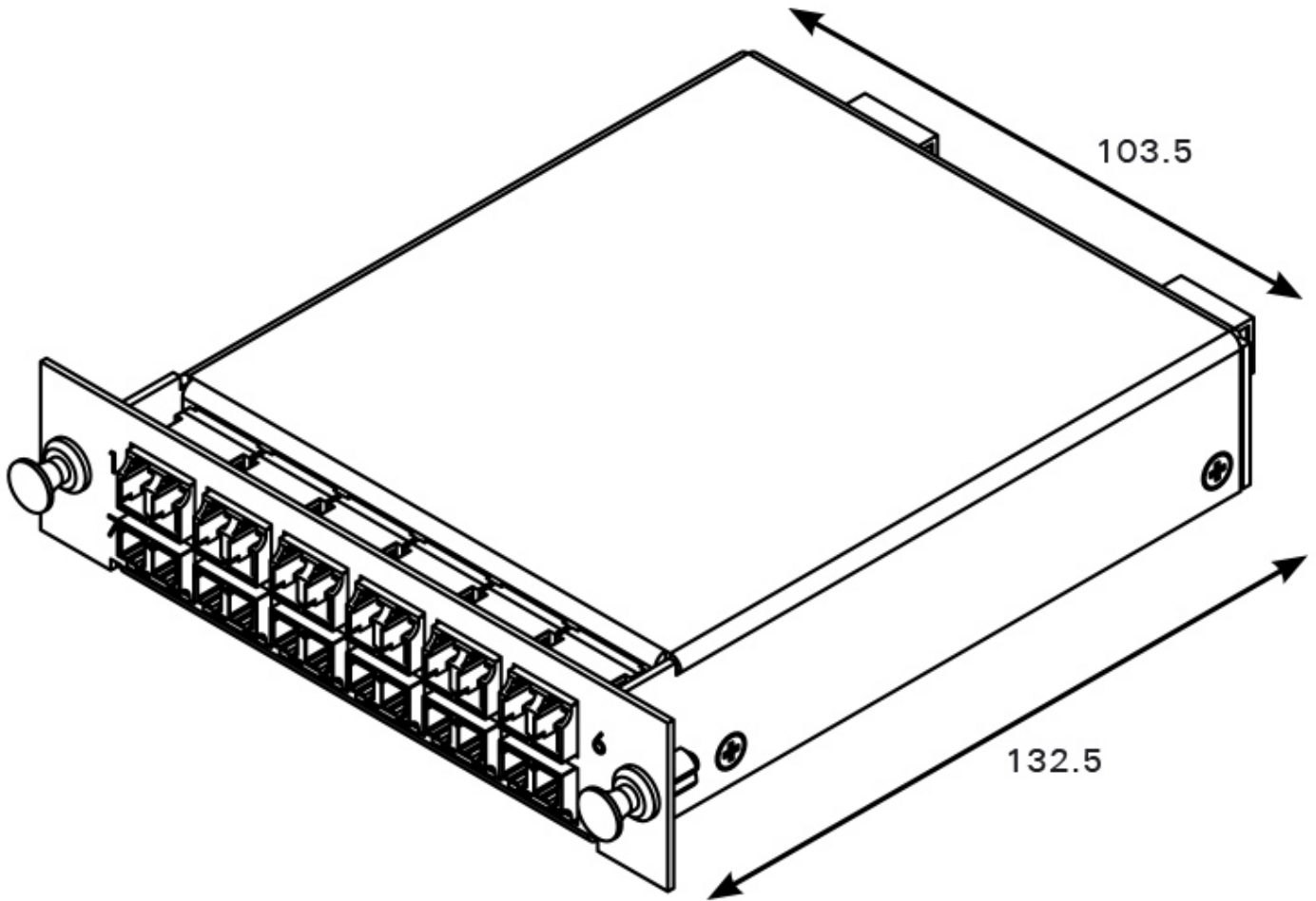
Female available on request

Example Part Number

MTPM	24	LC	OM3	CASS	
------	----	----	-----	------	--

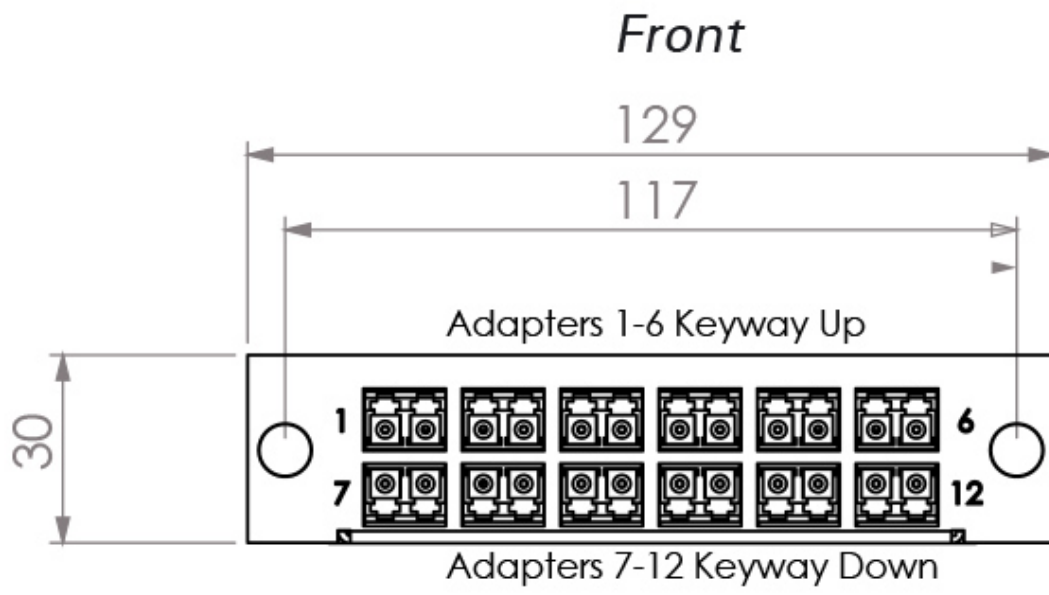
This part number refers to 24 fibres OM3 cassette with MTP® male rear and LC front interface, polarity method A or C.

Technical Drawing



All dimensions in mm

Side MTP Cassette Diagram



All dimensions in mm

Front MTP Cassette Diagram